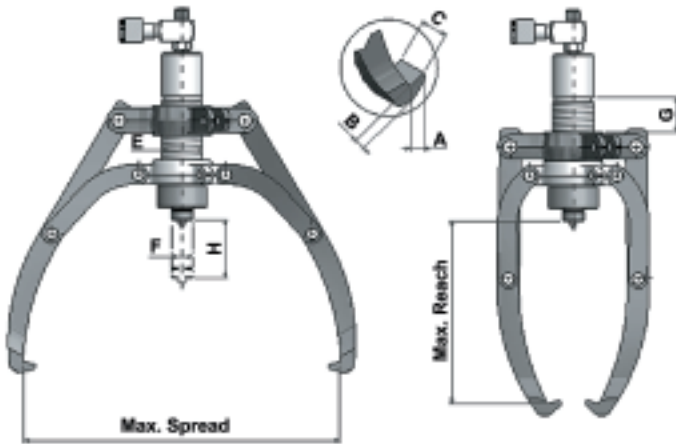


Hydraulic Loadstar Loadstar Pullers

- Self centring self locking puller legs, grip increases as load increases.
- Easy one man operation.
- 2 and 3 way options.
- 360 degree swivel hose coupling for optimum access.
- Lightweight aluminium hydraulic pump included.
- Selection of ram extension rods supplied to increase stroke.
- In-built safety valve to prevent overloading.



Specifications

no.	Part No.	Puller Spread Max mm	Puller Reach Max mm	Capacity Tonnes	Stroke mm H	Ram Dia mm E	Nose Dia. mm F	Travel mm G	Jaw Tip mm A	Jaw Tip mm B	Jaw Tip mm C	Weight kg
	201008	450	280	8	85	50	25	70	13	13	27.5	26
	201012	485	305	12	85	60	28	70	15	16.5	29	36
	201020	570	365	20	111	80	40	62	20	27	33	66

201008 Loadstar Puller 8 Tonne

- 8T Hydraulic Ram and Pump.
- Selection of 3 ram extension rods supplied to increase stroke.
- Spread 450mm.
- Reach 280mm.
- Puller supplied in sturdy plastic storage case.
- Pump supplied in steel storage case.
- See above for specifications.
- See page 226 for Hydraulic Pump Assembly spare parts.



Contents

Part No.	Qty	Description
200170	1	Hydraulic Pump Assembly
217200	1	High Pressure Hose 1.8m Long
217900	1	Gauge & Gauge Block
20100810	1	Hydraulic Ram
20100814	1	Leg Assembly
20100812	1	Head Assembly - Upper
20100813	1	Head Assembly - Lower
20100820	1	Ram Extension Set (3 piece)

Hydraulic Loadstar Loadstar Pullers

201012

Loadstar Puller 12 Tonne

- 12T Hydraulic Ram and Pump.
- Selection of 4 ram extension rods supplied to increase stroke.
- Spread 485mm.
- Reach 305mm.
- Puller supplied in sturdy plastic storage case.
- Pump supplied in steel storage case.
- See page 217 for specifications.
- See page 226 for Hydraulic Pump Assembly spare parts.

Contents

Part No.	Qty	Description
200170	1	Hydraulic Pump Assembly
217200	1	High Pressure Hose 1.8m Long
217900	1	Gauge & Gauge Block
20101210	1	Hydraulic Ram
20101214	1	Leg Assembly
20101212	1	Head Assembly - Upper
20101213	1	Head Assembly - Lower
20101220	1	Ram Extension Set (4 piece)



201020

Loadstar Puller 20 Tonne

- 20T Hydraulic Ram and Pump.
- Puller and pump supplied in steel storage case.
- Selection of 4 ram extension rods supplied to increase stroke.
- Spread 570mm.
- Reach 365mm.
- Supplied in steel storage cases.
- See page 217 for specifications.
- See page 226 for Hydraulic Pump Assembly spare parts.

Contents

Part No.	Qty	Description
200170	1	Hydraulic Pump Assembly
217200	1	High Pressure Hose 1.8m Long
217900	1	Gauge & Gauge Block
20102010	1	Hydraulic Ram
20102014	1	Leg Assembly
20102012	1	Head Assembly - Upper
20102013	1	Head Assembly - Lower
20102020	1	Ram Extension Set (4 piece)



Hydraulic Loadstar Loadstar “Plus” Pullers

- Loadstar Plus Heavy Duty Pullers offer a comprehensive range of pulling and extracting options.
- **Available in 20 Tonne, 30 Tonne and 50 Tonne.**
- Choices range from fully equipped “Comprehensive Kits” or entry level puller kits with the capability to add on extra packs as required.
- These extra packs consist of Separator packs, Accessory Packs and in the 20 Tonne version there is also a Press Frame pack available.
- The Loadstar Plus series is a versatile range with a range of options to suit all heavy duty pulling and extraction situations.

Hydraulic Loadstar Loadstar “Plus” Pullers - 20 Tonne Kits

202000

20 Tonne Loadstar “Plus” Entry Level Kit

- 20T Hydraulic Cylinder and Pump.
- 4 pulling combinations.
- Supplied in steel storage case.
- 3 x Cranked legs.
- 3 x Straight legs
- 3 x Leg extensions.
- Spread 530mm.
- Reach 760mm.
- See page 221 for kit contents.
- See page 226 for specifications and Hydraulic Pump Assembly spare parts.



202001

20 Tonne Loadstar “Plus” Entry Level Kit (minus pump)

- 20T Hydraulic Cylinder.
- Capability as above for those customers who already have a suitable hydraulic pump (10,000 psi) with standard 3/4" hydraulic quick coupler.
- Supplied in steel storage case.
- 3 x Cranked legs.
- 3 x Straight legs.
- 3 x Leg extensions.
- Spread 530mm.
- Reach 760mm.
- See page 221 for kit contents.
- See page 226 for specifications.



202020

20 Tonne Loadstar “Plus” Separator Add-on Pack

- Provides all additional components to add bearing separator capability to the entry level kit without any duplication of parts.
- Supplied in steel storage case.
- See page 221 for kit contents.
- See page 226 for specifications.



Loadstar "Plus" Pullers - 20 Tonne Kits

202030

20 Tonne Loadstar "Plus" Accessories Add-On Pack

- Provides a range of accessories which increase the capability of the entry level kit (with or without the Separator Add-On pack).
- Includes 5 extractor (pushing) pins for those hard to reach applications.
- Auto-grip collar and adaptor for quick change of pins
- Ram bases and heads for jacking applications.
- Supplied in steel storage case.
- See page 221 for kit contents.
- See page 226 for specifications.



202040

20 Tonne Loadstar "Plus" Press Frame Add-On Pack

- Press frame assembly to add portable press capability.
- Particularly useful for removal of HGV suspension King Pins.
- Includes 5 extractor (pushing) pins for those hard to reach applications.
- Auto-grip collar and adaptor for quick change of pins.
- Supplied in steel storage case.
- See page 221 for kit contents.
- See page 226 for specifications and Hydraulic Pump Assembly spare parts.



212000

20 Tonne Loadstar "Plus" Press Frame - Complete Kit

- 20T Hydraulic Cylinder and Pump.
- Stand alone portable press frame kit for pin pushing applications.
- Particularly useful for removal of HGV suspension King Pins.
- Includes 5 extractor (pushing) pins for those hard to reach applications.
- Auto-Grip collar and adaptor for quick change of pins.
- Supplied in steel storage case.
- See page 221 for kit contents.
- See page 226 for specifications and Hydraulic Pump Assembly spare parts.



212001

20 Tonne Loadstar "Plus" Press Frame - Complete Kit (minus pump)

- 20T Hydraulic Cylinder.
- Capability as above for those customers who already have a suitable hydraulic pump(10,000 psi) with standard 3/4" hydraulic quick coupler.
- Supplied in steel storage case.
- See page 221 for kit contents.
- See page 226 for specifications.



Loadstar "Plus" Pullers - 20 Tonne Kits

202050

20 Tonne Loadstar "Plus" Comprehensive Kit

- 20T Hydraulic Cylinder and Pump.
- Contains full capability without any duplication of parts.
- 4 pulling combinations.
- Bearing separator capability.
- Portable press frame included.
- Internal pulling unit included.
- Supplied in 2 steel storage cases.
- 3 x Cranked legs.
- 3 x Straight legs.
- 3 x Leg extensions.
- Spread 530mm.
- Reach 760mm.
- See below for kit contents.
- See page 226 for specifications and Hydraulic Pump Assembly spare parts.



Loadstar "Plus" 20 Tonne Kit Contents

Part No.	Description	202050	202000	202001	202020	202030	202040	212000	212001
		Kit Qty	Kit Qty	Kit Qty	Kit Qty	Kit Qty	Kit Qty	Kit Qty	Kit Qty
200170	Hydraulic Pump	1	1	-	-	-	-	1	-
200120	20T Hydraulic Cylinder	1	1	1	-	-	-	1	1
200285	20T 3 Way Beam incl. Pins & Nuts	1	1	1	-	-	-	-	-
200286	Puller Leg - Cranked	3	3	3	-	-	-	-	-
200284	Puller Leg - Straight	3	3	3	-	-	-	-	-
200192	Leg Extension incl Pins & Nuts	3	3	3	-	-	-	-	-
095300	Separator incl. Adaptors	1	-	-	1	-	-	-	-
200283	Twin Beam	1	-	-	1	-	-	-	-
200289	Rod Assembly	2	-	-	2	-	-	-	-
200124	Base Pushing Plate incl. Bolts	1	-	-	-	1	-	-	-
200121	Base	1	-	-	-	1	-	-	-
200123	Toe Lift Finished	1	-	-	-	1	-	-	-
200144	Extractor Pin 25 x 150	1	-	-	-	1	1	1	1
200145	Extractor Pin 50 x 150	1	-	-	-	1	1	1	1
200146	Extractor Pin 38 x 150	1	-	-	-	1	1	1	1
200147	Extractor Pin 18 x 75	1	-	-	-	1	1	1	1
200148	Extractor Pin 20 x 150	1	-	-	-	1	1	1	1
200149	Auto Grip Collar & Adaptor	1	-	-	-	1	1	1	1
200395	Press Frame	1	-	-	-	-	1	1	1
202083	Steel Storage Case	2	1	1	-	-	-	-	-
202084	Steel Storage Case	-	-	-	1	-	1	1	1
080382	Steel Storage Case	-	-	-	-	1	-	-	-

Loadstar “Plus” Pullers - 30 Tonne Kits

203000

30 Tonne Loadstar “Plus” Entry Level Kit

- 30T Hydraulic Cylinder and Pump.
- 4 pulling combinations.
- Supplied in steel storage case.
- 3 x Cranked legs.
- 3 x Straight legs.
- 3 x Leg extensions.
- Spread 530mm.
- Reach 580mm.
- See page 223 for kit contents.
- See page 226 for specifications and Hydraulic Pump Assembly spare parts.



203001

30 Tonne Loadstar “Plus” Entry Level Kit (minus pump)

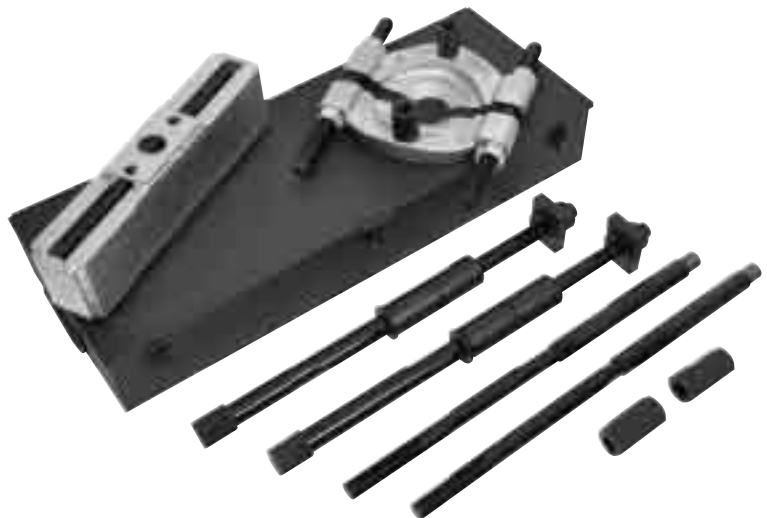
- 30T Hydraulic Cylinder.
- Capability as above for those customers who already have a suitable hydraulic pump (10,000 psi) with standard 3/4" hydraulic quick coupler.
- Supplied in steel storage case.
- Spread 530mm.
- Reach 580mm.
- See page 223 for kit contents.
- See page 226 for specifications.



203020

30 Tonne Loadstar “Plus” Separator Add-On Pack

- Provides all additional components to add bearing capability to the entry level kit without any duplication of parts.
- Supplied in steel storage case.
- See page 223 for kit contents.
- See page 226 for specifications.



Loadstar "Plus" Pullers - 30 Tonne Kits

203050

30 Tonne Loadstar "Plus" Comprehensive Kit

- 30T Hydraulic Cylinder and Pump.
- Contains full capability without any duplication of parts.
- 4 pulling combinations.
- Bearing separator capability.
- Internal pulling unit included.
- Supplied in 2 steel storage case.
- 3 x Cranked legs.
- 3 x Straight legs.
- 3 x Leg extensions.
- Spread 530mm.
- Reach 580mm.
- See below for kit contents.
- See page 226 for specifications and Hydraulic Pump Assembly spare parts.



Loadstar "Plus" 30 Tonne Kit Contents

Part No.	Description	203050	203000	203001	203020
		Kit Qty	Kit Qty	Kit Qty	Kit Qty
200170	Hydraulic Pump	1	1	-	-
200130	30T Hydraulic Cylinder	1	1	1	-
200384	30T Triple Beam incl Pins & Bolts	1	1	1	-
200286	Puller Leg - Cranked	3	3	3	-
200284	Puller Leg - Straight	3	3	3	-
200192	Leg Extension incl. Pins & Nuts	3	3	3	-
200131	Adjusting Screw	1	1	1	-
200132	Handle	1	1	1	-
200135	Rod End Cap	1	1	1	-
200481	M10 x 1.5 x 75mm Long Bolt	2	2	2	-
095300	Separator incl Adaptors	1	-	-	1
200584	Twin Beam	1	-	-	1
200289	Rod Assembly	2	-	-	2
200290	Extension Rod	2	-	-	2
200595	Internal Pulling Unit	1	-	-	-
300250	Connector	2	-	-	2
202083	Steel Storage Case	1	1	1	-
202084	Steel Storage Case	1	-	-	1

Loadstar "Plus" Pullers - 50 Tonne Kits

205000

50 Tonne Loadstar "Plus" Entry Level Kit

- 50T Hydraulic Cylinder and Pump.
- 4 pulling combinations.
- Supplied in steel storage case.
- 3 x Cranked legs.
- 3 x Straight legs.
- 3 x Leg extensions.
- Spread 530mm.
- Reach 470mm.
- See page 225 for kit contents.
- See page 226 for specifications and Hydraulic Pump Assembly spare parts.



205001

50 Tonne Loadstar "Plus" Entry Level Kit (minus pump)

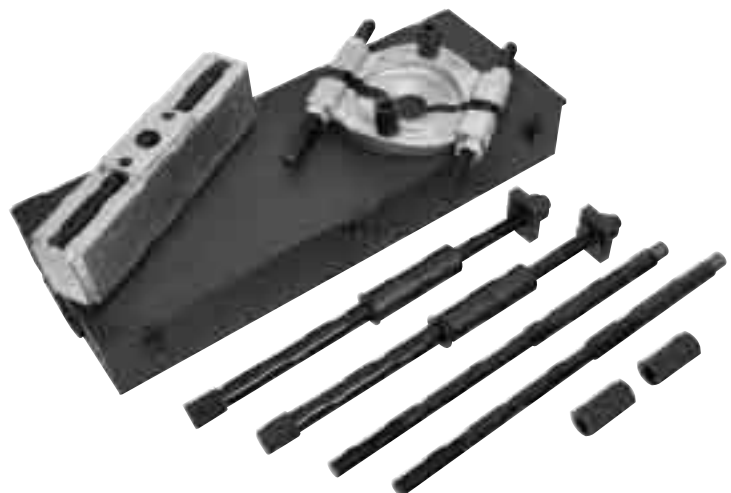
- 50T Hydraulic Cylinder.
- Capability as above for those customers who already have a suitable hydraulic pump (10,000 psi) with standard 3/4" hydraulic quick coupler.
- Supplied in steel storage case.
- Spread 530mm.
- Reach 470mm.
- See page 225 for kit contents.
- See page 226 for specifications.



205020

50 Tonne Loadstar "Plus" Separator Add-On Pack

- Provides all additional components to add bearing separator capability to the entry level kit without any duplication of parts.
- Supplied in steel storage case.
- See page 225 for kit contents.
- See page 226 for specifications.



Loadstar “Plus” Pullers - 50 Tonne Kits

205050

50 Tonne Loadstar “Plus” Comprehensive Kit

- 50T Hydraulic Cylinder and Pump.
- Contains full capability without any duplication of parts.
- 4 pulling combinations.
- Bearing separator capability.
- Internal pulling unit included.
- Supplied in 2 steel storage cases.
- 3 x Cranked legs.
- 3 x Straight legs.
- 3 x Leg extensions.
- Spread 530mm.
- Reach 470mm.
- See below for kit contents.
- See page 226 for specifications and Hydraulic Pump Assembly spare parts.



Loadstar “Plus” 50 Tonne Kit Contents

Part No.	Description	205050	205000	205001	205020
		Kit Qty	Kit Qty	Kit Qty	Kit Qty
200170	Hydraulic Pump	1	1	-	-
200150	50T Hydraulic Cylinder	1	1	1	-
200682	50T Triple beam incl Pins, Nuts & Bolts	1	1	1	-
200286	Puller Leg - Cranked	3	3	3	-
200284	Puller Leg - Straight	3	3	3	-
200192	Leg Extension incl. Pins & Nuts	3	3	3	-
200151	Adjusting Screw	1	1	1	-
200152	Handle	1	1	1	-
200155	Adjusting Screw cap ADZ 60	1	1	1	-
095300	Separators incl Adaptors	1	-	-	1
200685	Twin Beam incl Bolts	1	-	-	1
200289	Rod Assembly	2	-	-	2
200290	Extension Rod	2	-	-	2
200595	Internal Pulling Unit	1	-	-	-
300250	Connector	2	-	-	2
202083	Steel Storage Case	1	1	1	-
202084	Steel Storage Case	1	-	-	1

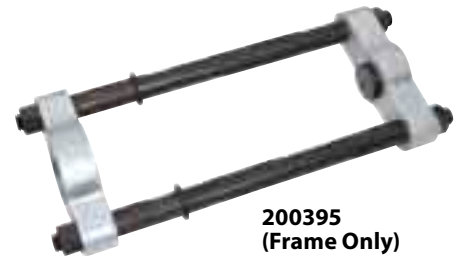
Loadstar "Plus" Pullers - Specifications

Loadstar "Plus" Specifications

Capacity Tonnes	no. Part No.	Pulling		External		Internal	Stroke mm	Weight kg
		Spread mm	Reach mm	Spread Min - Max mm	Reach mm	Spread Min - Max mm		
20 Tonne	202000	530	760	-	-	-	152	88
	202001	530	760	-	-	-	152	83
	202020	-	-	50 - 175	420	-	152	54
	202050	530	760	50 - 175	420	75 - 225	50	195
30 Tonne	203000	530	580	-	-	-	50	92
	203001	530	580	-	-	-	50	86
	203020	-	-	50 - 175	860	-	50	63
	203050	530	580	50 - 175	860	75 - 225	100	160
50 Tonne	205000	530	470	-	-	-	100	106
	205001	530	470	-	-	-	100	100
	205020	-	-	50 - 175	750	-	100	68
	205050	530	470	50 - 175	750	75 - 225	100	180

Press Frame Specifications Included In Puller Kits Below

no. Kit Part No.	Throat Depth	Throat Width	Extractor Pin Diameter	Extractor Pin Length	Stroke mm	Kit Weight kg
	Min - Max mm	mm	Min - Max mm	Min - Max mm		
202040	365 - 460	165	18 - 50	75 - 150	152	47
212000	365 - 460	165	18 - 50	75 - 150	152	71
212001	365 - 460	165	18 - 50	75 - 150	152	65
202050	365 - 460	165	18 - 50	75 - 150	152	195



200395
(Frame Only)

200170 Hydraulic Pump Assembly Spare Parts

Part No.	Description
217200	High Pressure Hose 1.8m long
217400	Quick Coupling - complete
217401	Quick Coupling - male
217402	Quick Coupling - female
217900	Gauge & Gauge Block
218000	Hydraulic Oil - 5 Litres



200170